

HTK T 215 Dew Point Sensor



Very fast response time

ensures safe and reliable measurements

The HTK T 215 dew point meter provides reliable and long term stable dew point monitoring in industrial applications, with a range of -20 ... +50 °C Td. It makes it an ideal choice for dew point measurements in high tech requirements and conditions.

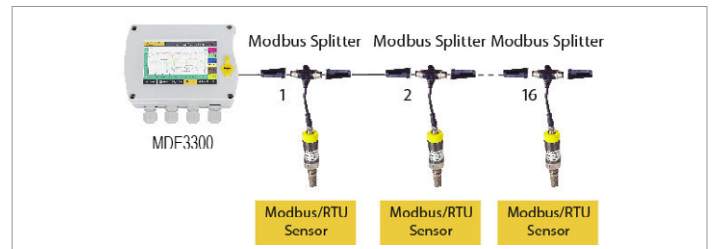
Benefits

- Compact size makes them ideal for dryer installations.
- Optional display for on-site values. Display can be rotated by 340 ° to fit your needs.
- User friendly signal outputs:
 - 2-wire analog 4... 20 mA or
 - 3-wire analog 4...20 mA + Modbus/RTU
- IP65 casing provides robust protection.
- Low maintenance costs due to stable and reliable measurements which increase calibration intervals.
- Measured values available in several units:
 - °C Td • g/m³ • mg/m³ • ppmv • g/kg (@ reference pressure) • % RH and more, please ask our support for other measurement units.

Modbus Sensor-Network

The Modbus/RTU bus allows to connect several sensors to a single bus line via Daisy-Chain.

For example up to 16 sensors to a Datalogger.



Display Option

The OLED display directly mounted on the sensor provides on-site real time values. The display can be easily rotated by 340 ° to fit your application.



Sensor Protection

The stainless steel sinter filter cap protects the sensor from dust and other impurities. At the same time it offers fast response times and reliable measurement results.



Rev.I_082021_HTK T 215_engl • Subject to change without notice



We control GASES - since 1978



HTK T 215 Dew Point Sensor



COMPACT DESIGN

Makes it easy to fit into the application

SIGNAL OUTPUT

4 ... 20 mA Modbus/RTU

PRESSURE SENSOR

integrated as option

PRECISE MEASUREMENT

± 2 °C Td Accuracy

DISPLAY OPTION

For on-site values

AIR QUALITY

Monitors humidity

FOR FRIDGE DRIERS

Measures down to -20 °C Td

Robust Materials

The main body is made from high class aluminum alloy with a soft finish. The process connection is a 1.4301 (SUS 304) stainless steel connection, made to last forever.

Top cover made from aluminum at the same quality as the main body. The optional display cover is made from robust Polycarbonate with ABS reinforcement to withstand the rough environment.



Unique Sensor Elements

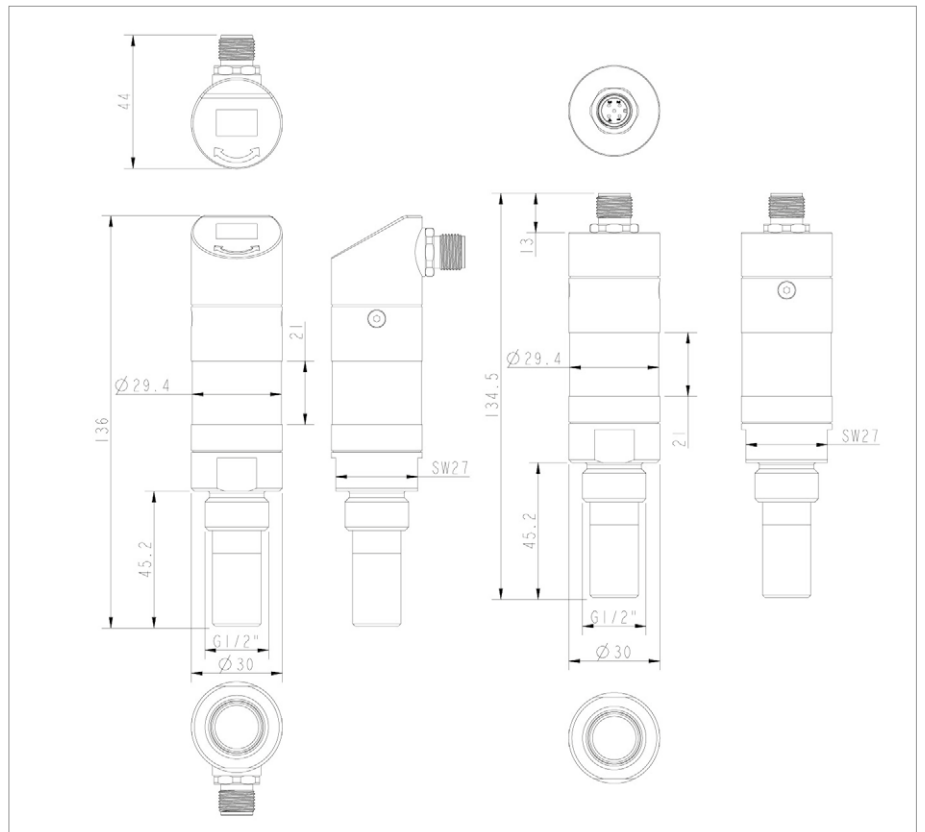
Our QCM sensor is the result of years of high-tech research and development. The sensor was especially designed for low dew point applications where other sensor types fail.

The combination of QCM and the well known Polymer sensor makes the HTK T 215 the worlds first model to measure accurate over the whole range, from -20 °C Td up to +50 °C Td by switching automatically between the two sensor elements as needed.

By fitting additionally a pressure sensor into the measurement unit, We are combining 4 sensor elements (Polymer, QCM, Pt100, pressure) into a single dew point sensor.



Dimension Drawing



Rev.I_082021_HTK T 215_engl • Subject to change without notice



We control GASES - since 1978



HTK T 215 Dew Point Sensor



Analysers from HTK

We are your partner for tailor-made gas analysis technology

The use of fixed and mobile gas analysers is widespread in many industries, and the demand continues to grow.

HTK Hamburg develops and builds equipment to provide effective solutions, from the small manual analyser up to the complex analysis unit in the food sector, welding & cutting and in many other industries.

Planning, manufacturing, service and calibrating analysers for the measuring gases such as O₂, CO₂, H₂, SF₆ - and many more - isn't a challenge for us; it's our mission each and every day.

Our aim is to ensure safe, consistent and accurate analysis in your process - thus maintaining quality.



HTK Hamburg GmbH
Oehleckerring 32
22419 Hamburg

Phone: +49 (0)40 - 600 38 38 - 0
Fax: +49 (0)40 - 600 38 38 - 99
info@htk-hamburg.com

© Copyright 2019 - All contents of this document, in particular Texts, photographs and graphics are protected by copyright. All rights, including reproduction, publication, processing and translation are reserved, HTK Hamburg GmbH. Please contact HTK Hamburg GmbH if you would like to use the contents of this document.

Technical Data	
Measuringrange	Dew point -20 ... +50°C Td Temperature -30 ... +70°C Pressure 0 ... 1.6 MPa
Dew point sensor	Polymer
Operating pressure	-0.1 ... 1.6 MPa -0.1 ... 35.0 MPa optional
Process connection	G 1/2" (ISO 228/1), stainless steel 1.4301 (SUS 304)
Operating conditions	Medium Temp.: -30 ... +70°C Ambient Temp.: 0 ... +50°C Ambient Humidity: 0 ... 100 % rH
Supply voltage	15 ... 30 VDC
Materials	Casing: Aluminum alloy Process thread: Stainless steel 1.4301 (SUS 304) Display cover: PC + ABS
Protection class & Approval	IP65 / CE
Sensor protection	Sinter filter (stainless steel)
Transport & Storage	Transport Temperature: -30 ... + 70 °C / Storage Temperature: -20 ... + 50 °C
Weight	180 g
Measured gases	Air, Ar, O ₂ , N ₂ , CO ₂
Output Signal	4...20 mA 2-wire, 4... 20 mA 3-wire + SDI, 4... 20 mA 3-wire + Modbus/RTU
Current consumption	2-wire: 4 ... 20 mA 3-wire: 40 mA @ 24 VDC 3-wire with display: 50 mA @ 24 VDC
Accuracy	Dew point: +/- 1 °C Td (0 ... 20 °C Td) +/- 2 °C Td (-60 ... 0 °C Td / +20 ... +50 °C Td) +/- 3 °C Td (-100 ... -60 °C Td) Temperature: +/- 0.3 °C Pressure: 0.5% FS
Sensor types	Temperature sensor: Pt100 / Pressure sensor: Piezo resistive type
Display option	0.66" OLED display, indicates the measured value and unit

The direct way to our website:

www.htk-hamburg.com

Rev.I_082021_HTK T 215_engl • Subject to change without notice



We control GASES - since 1978

