

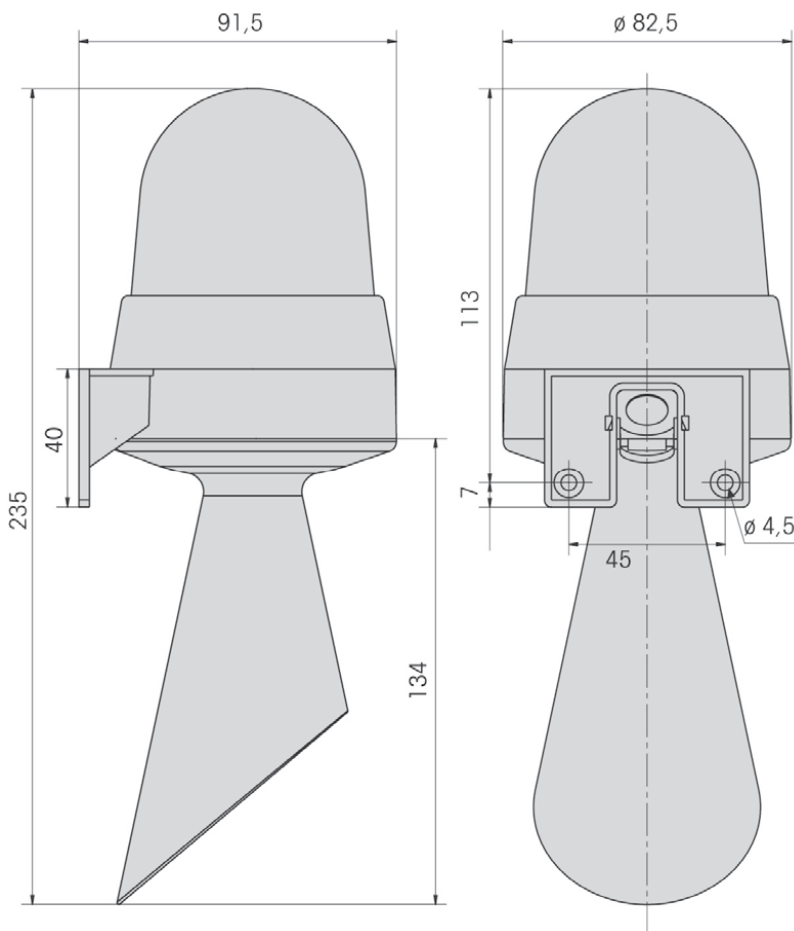
LED HORN WM CONTIN. TONE



Benefits

- Maintenance-free electronic signal horn with life duration of up to 5,000h
- Light and sound can be separately triggered for two-stage signalling
- Adjustable sound output
- (24 V version)

Dimensions



Rev. I_022017_LED-Hupe_WM-Dauerhorn_engl. - Technische Änderungen vorbehalten

Technical data overleaf



EN ISO
9001:2015
certified
since 1994

LED HORN WM CONTIN. TONE

Technical Data	
Connection	screwable connection with wire protection max. 1.5 mm ² finely stranded
Fixing	Bracket mounting
Operating voltage	U _{nom} = 24VAC/DC
Starting current	max. 500 mA
Colour	red
Cable entry	Diaphragm bushing; cable diameter max. 9 mm
Sound output	98dB
Service life	50,000 h (audible: min. 5,000 h)
Protection rating	IP65
Voltage	24V AC/DC
Voltage type	AC/DC
Current consumption	Opt.:max.45mA/aud.:max.80mA
Temperature range	-20°C...+50°C
Tone type	Contin. tone
Tone frequency	ca. 110 Hz
Duty cycle	100 % ED
Housing material	PC
Lens	PC
installation position	sound exit facing downwards
Signal effect	LED Permanent
Diameter	83 mm
Height	234.5 mm
Depth	91 mm
Net weight	166 g
Total weight	223 g
characteristic features	volume adjustable from ca. 50 dB up to max.
Regulations	conforms to current EU regulations